

Product data

Product code	MAA5095A10	EAN-code	4744397040978
Product name	OTL-connector 5x1xAl/Cu 6-95mm ² (Grey)	ETIM class	EC000897
Wires	5x1xAl/Cu 6-95 mm ²		

Technical data

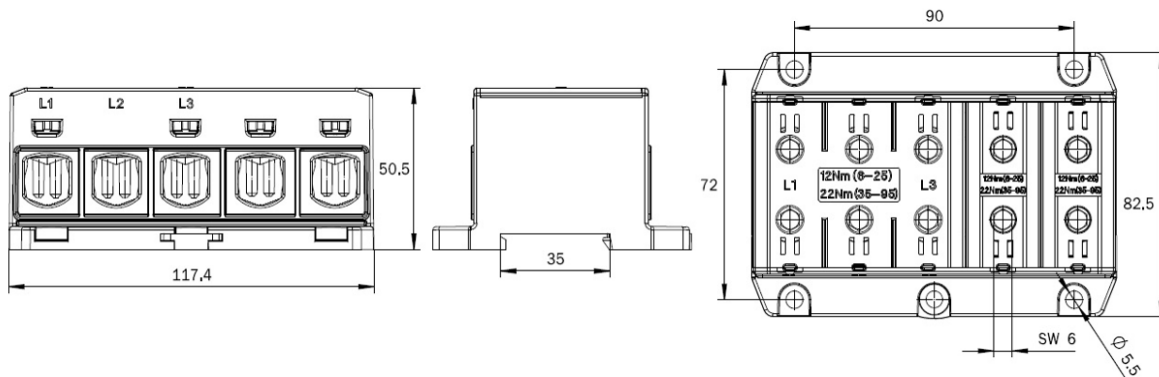
Nominal current (IEC)	Cu	245	A
	Al	220	A
Nominal voltage (IEC)	1000 V AC / 1500 V DC		
Number of poles	5		pcs
Max. Cross section	95		mm ²
Tightening torque			
6-25 mm ² (3-10 AWG)	12		Nm
35-95 mm ² (4/0-2 AWG)	22		Nm
Min. installation temperature	+5		°C
Operating temperature	-25...+80		°C
Weight	323		g
IP-protection	IP20		
Standards	EN 61238-1:2003; EN 60947-7-(1-2):2009		
Color / Material	Grey RAL 7035/ PA66-V0		
Mounting / Connection	DIN-rail and screw (M5) mounting		



Description

OTL-connectors are designed for connecting and branching aluminium and copper conductors. The body is made of tin plated aluminium. Housing is made of UL94 V0 class polyamide. 5-pole connector (L1,L2,L3,N and PE). Made in Finland.

Drawing



Package

Package: Box	Pcs / Package: 10	Weight [kg]: 0,323
Length [mm]: 330	Width [mm]: 180	Height [mm]: 145