

### Product data

|              |   |            |               |
|--------------|---|------------|---------------|
| Product code | MAA5050A10  | EAN-code   | 4744397040961 |
| Product name | OTL-connector 5x(1xAl/Cu 1,5-50mm <sup>2</sup> ) Grey | ETIM class | EC000897      |
| Wires        | 5x1xAl/Cu 1,5-50 mm <sup>2</sup>                      |            |               |

### Technical data

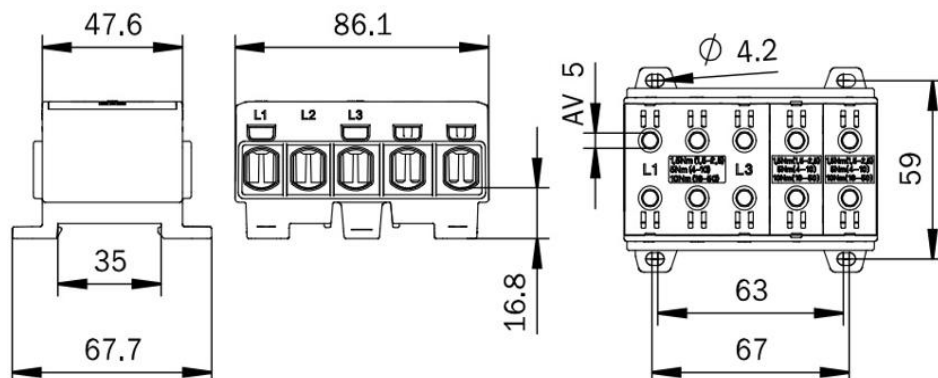
|                                     |  |     |                 |
|-------------------------------------|--|-----|-----------------|
| Nominal current (IEC)               | Cu                                     | 160 | A               |
|                                     | Al                                     | 145 | A               |
| Nominal voltage (IEC)               | 1000 V AC / 1500 V DC                  |     |                 |
| Number of poles                     | 5                                      |     | pcs             |
| Max. Cross section                  | 50                                     |     | mm <sup>2</sup> |
| Tightening torque                   |  |     |                 |
| 1,5-2,5 mm <sup>2</sup> (14-16 AWG) | 1,5                                    |     | Nm              |
| 4-10 mm <sup>2</sup> (8-12 AWG)     | 5                                      |     | Nm              |
| 16-50 mm <sup>2</sup> (1/0-6 AWG)   | 10                                     |     | Nm              |
| Min. installation temperature       | +5                                     |     | °C              |
| Operating temperature               | -25...+80                              |     | °C              |
| Weight                              | 196                                    |     | g               |
| IP-protection                       | IP20                                   |     |                 |
| Standards                           | EN 61238-1:2003; EN 60947-7-(1-2):2009 |     |                 |
| Color / Material                    | Grey Housing RAL 7035/ PA66-V0         |     |                 |
| Mounting / Connection               | DIN-rail and screw (M4) mounting       |     |                 |



### Description

OTL-connectors are designed for connecting and branching aluminium and copper conductors. The body is made of tin plated aluminium. Housing is made of UL94 V0 class polyamide. 5-pole connector (L1,L2,L3,N and PE). Made in Finland.

### Drawing



### Package

|                  |                   |                    |
|------------------|-------------------|--------------------|
| Package: Box     | Pcs / Package: 10 | Weight [kg]: 0,196 |
| Length [mm]: 200 | Width [mm]: 75    | Height [mm]: 125   |