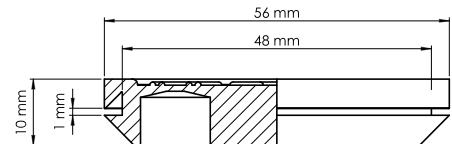


Single grommets MGD route low and medium power cables and tubing. Made of TPE-S material, they are suitable for indoor and outdoor use. These grommets are designed to fit standard M50 openings.



Technical specifications

- IP54 protection against dust and water splashed from all directions.
- Made of EPDM material
- Plate wall thickness between 1 - 2 mm and 1,5 - 3 mm.
- Available for cables with 3 to 16 mm diameter
- Service temperature for unstressed material -40 °C to +100 °C



Order code	Color	Cable diameter	Weight (g)	Package (pcs)
MBB0712L11	Light Grey (RAL 7035)	8 x 9 mm & 4 x 13 mm	20	50
MBB0707L11	Light Grey (RAL 7035)	4 x 10 mm & 3 x 16 mm	20	50

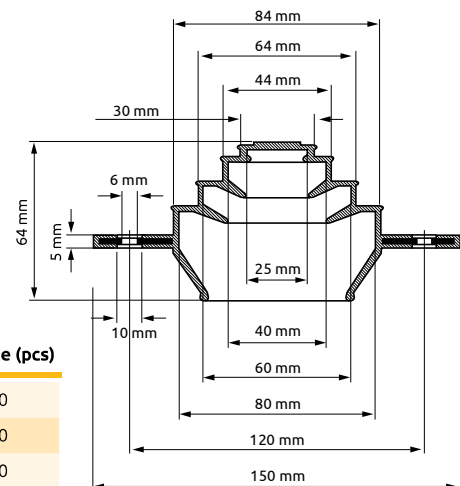
Look more about materials at Comparison of materials on page 148.

Single grommets M 20-80

Single grommets M 20-80 route low and medium power cables and tubing, specifically designed for cables with larger diameters up to 80 mm. They are suitable for both indoor and outdoor applications.

Technical specifications

- Made of TPE material
- Flame resistant UL 94 V-0
- Plate wall thickness 1,5 - 3 mm.
- Available for cables with 20 to 80 mm diameter
- Service temperature for unstressed material -40 °C to +100 °C



Order code	Color	Classification	Weight (g)	Package (pcs)
MBA6N80G11	Grey (RAL 7042)		260	50
MBA6N80X11	Light Grey (RAL 7035)	UL 94 V-0	260	50
MBA6N80B11	Black	UL 94 V-0, Oil resistant	260	50

Look more about materials at Comparison of materials on page 148.