

Single grommets are cable grommets with various design for leading through both low and medium power current cables as well as various types of tubing. These are suitable for in- and outdoor applications and available for both PG-and mm-openings.

Single grommets are available in many different polymers with different characteristics, such as weather, UV-and ozone resistance, oil resistance and RoHS compliance.

Models T-VET and T-GET are new design which can be used as sealing plug. Both these designs give absolute protection against dust and strong jets of water and also against effects of immersion between 15 cm and 1 m (IP67).

Single grommets T-VET and T-GET are available as standard of TPE material and are inspected and certified by SGS Fimko, the Finnish authority in charge of electrical equipment safety standards.



## Installation



Make a hole of appropriate size to blind plate or knock-out plate. Avoid rough and sharp edges.



Place the grommet on the hole and pull it firmly to its place.



Make a small hole into the membrane using a screwdriver or cut the top of the cone using side cutters.



Push the cable or tube through the guide hole.



(Back side) Pull the cable or tube back for some 20 mm to lock it.

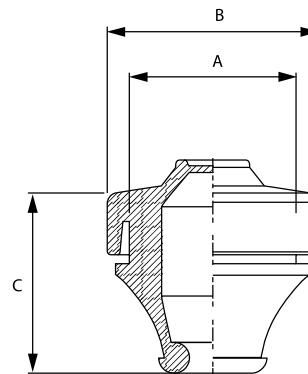


(Front side) Pull the cable or tube back for some 20 mm to lock it.

Single grommets T-VET route cables and tubing for low and medium power currents. They are suitable for indoor and outdoor use and fit PG openings. The T-VET model features a double seal design, allowing it to be used as a plug.

**Technical specifications**

- IP67 total protection against ingress of dust and protection against the effects of immersion between 15,0 cm and 1,0 m
- Made of TPE material
- Flame resistant UL 94 V-0 (look at product table)
- Plate wall thickness between 1 - 4 mm.
- Available for cables with 3 to 35 mm diameter
- Operating temperature from -40 °C to +100 °C



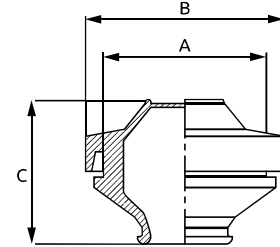
Order code	Type	Cable diameter (mm)	Color	Shade	Classification	Dimensions (mm)			Weight (g)	Package (pcs)
						A	B	C		
MBB0105G11	PG7	3 - 5	Grey ●	RAL 7042		13	20	17	2,7	50
MBB0105X11	PG7		Grey ●	RAL 7035	UL 94 V-0				3,4	
MBB0105B11	PG7		Black ●		UL 94 V-0, oil resistant				3,4	
MBB0107G11	PG9	5 - 7	Grey ●	RAL 7042		16	20	19	3,1	50
MBB0107X11	PG9		Grey ●	RAL 7035	UL 94 V-0				3,5	
MBB0107B11	PG9		Black ●		UL 94 V-0, oil resistant				3,5	
MBB0110G11	PG11	7 - 10	Grey ●	RAL 7042		19	24	21	4,3	50
MBB0110X11	PG11		Grey ●	RAL 7035	UL 94 V-0				5	
MBB0110B11	PG11		Black ●		UL 94 V-0, oil resistant				5	
MBB0114G11	PG16	10 - 14	Grey ●	RAL 7042		23	29	23	6,7	50
MBB0114X11	PG16		Grey ●	RAL 7035	UL 94 V-0				7,8	
MBB0114B11	PG16		Black ●		UL 94 V-0, oil resistant				7,8	
MBB0120G11	PG21	14 - 20	Grey ●	RAL 7042		29	34	26	8	25
MBB0120X11	PG21		Grey ●	RAL 7035	UL 94 V-0				9,2	
MBB0120B11	PG21		Black ●		UL 94 V-0, oil resistant				9,2	
MBB0126G11	PG29	20 - 26	Grey ●	RAL 7042		38	46	30	15	25
MBB0126X11	PG29		Grey ●	RAL 7035	UL 94 V-0				17,4	
MBB0126B11	PG29		Black ●		UL 94 V-0, oil resistant				17,4	
MBB0135G11	PG36	26 - 35	Grey ●	RAL 7042		48	57,5	33	25	10
MBB0135X11	PG36		Grey ●	RAL 7035	UL 94 V-0				28	
MBB0135B11	PG36		Black ●		UL 94 V-0, oil resistant				28	

Look more about materials at Comparison of materials on page 148.

Single grommets T-GET route cables and tubing for low and medium power currents. They are suitable for indoor and outdoor use and fit mm openings. The T-GET model features a double seal design, allowing it to be used as a plug.

**Technical specifications**

- IP67 total protection against ingress of dust and protection against the effects of immersion between 15,0 cm and 1,0 m
- Made of TPE material
- Flame resistant UL 94 V-0 (look at product table)
- Plate wall thickness between 1 - 5 mm and 1,2 - 5,2 mm.
- Available for cables with 3 to 60 mm diameter
- Operating temperature from -40 °C to +100 °C



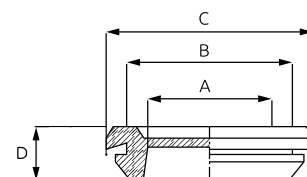
Order code	Type	Cable diameter (mm)	Color	Shade	Classification	Dimensions (mm)			Plate thickness (mm)	Weight (g)	Package (pcs)	
						A	B	C				
MBB0305G11	M12	3 - 5	Grey ●	RAL 7042	UL 94 V-0	12	19	20,9	1 - 5	2,8	50	
MBB0305X11	M12		Grey ●	RAL 7035								UL 94 V-0, oil resistant
MBB0305B11	M12		Black ●									
MBB0307G11	M16	5 - 7	Grey ●	RAL 7042	UL 94 V-0	16	23	21,6	1 - 5	3,2	50	
MBB0307X11	M16		Grey ●	RAL 7035								UL 94 V-0, oil resistant
MBB0307B11	M16		Black ●									
MBB0310G11	M20	7 - 10	Grey ●	RAL 7042	UL 94 V-0	20	27	24,3	1 - 5	4,3	50	
MBB0310X11	M20		Grey ●	RAL 7035								UL 94 V-0, oil resistant
MBB0310B11	M20		Black ●									
MBB0314G11	M25	10 - 14	Grey ●	RAL 7042	UL 94 V-0	25	32	24,8	1 - 5	8	50	
MBB0314X11	M25		Grey ●	RAL 7035								UL 94 V-0, oil resistant
MBB0314B11	M25		Black ●									
MBB0320G11	M32	14 - 20	Grey ●	RAL 7042	UL 94 V-0	32	39	28,1	1 - 5	12	25	
MBB0320X11	M32		Grey ●	RAL 7035								UL 94 V-0, oil resistant
MBB0320B11	M32		Black ●									
MBB0326G11	M40	20 - 26	Grey ●	RAL 7042	UL 94 V-0	40	46	31,8	1 - 5	16,4	25	
MBB0326X11	M40		Grey ●	RAL 7035								UL 94 V-0, oil resistant
MBB0326B11	M40		Black ●									
MBB0335G11	M50	26 - 35	Grey ●	RAL 7042	UL 94 V-0	50	57	39,7	1 - 5	24	10	
MBB0335X11	M50		Grey ●	RAL 7035								UL 94 V-0, oil resistant
MBB0335B11	M50		Black ●									
MBB0345G11	M60	30 - 45	Grey ●	RAL 7042	UL 94 V-0	60	69	59,6	1 - 5	54	5	
MBB0345X11	M60		Grey ●	RAL 7035								UL 94 V-0, oil resistant
MBB0345B11	M60		Black ●									
MBB0360B11	M80	40 - 60	Black ●		UL 94 V-0, oil resistant	80	89	78,2	1,2 - 5,2	110	5	

Look more about materials at Comparison of materials on page 148.

Single grommets T-GD and T-GDM route cables and tubing for low and medium power currents. They are suitable for indoor and outdoor use. T-GD grommets fit PG openings, while T-GDM grommets fit metric openings (mm).

**Technical specifications**

- IP54 protection against dust and water splashed from all directions.
- Made of TPE material
- Flame resistant UL 94 V-0
- Plate wall thickness between 1 - 2 mm and 1,5 - 3 mm.
- Available for cables with 9 to 69 mm diameter
- Operating temperature from -40 °C to +100 °C

**T-GD**

Order code	Type	Cable diameter (mm)	Color	Dimensions (mm)				Plate thickness (mm)	Weight (g)	Package (pcs)
				A	B	C	D			
MBB0509B11	PG9	9	Black ●	9	15,5	20	7	1 - 2	2	100
MBB0511B11	PG11	11	Black ●	11	18,5	23	7	1 - 2	3	100
MBB0513B11	PG13,5	13,5	Black ●	13,5	20,5	25	7	1 - 2	4	100
MBB0516B11	PG16	16	Black ●	16	22,5	28	7	1 - 2	4	100
MBB0521B11	PG21	21	Black ●	21	28	35	9	1 - 2	12	100
MBB0529B11	PG29	29	Black ●	29	37	44	10	1 - 2	16	100
MBB0536B11	PG36	36	Black ●	36	47	54	12	1,5 - 3	17	100
MBB0548B11	PG48	48	Black ●	48	60	68	12	1,5 - 3	54	50
MBB0553B11	PG53	53	Black ●	53	64	75	12	1,5 - 3	110	50
MBB0569B11	PG69	69	Black ●	69	79	90	12	1,5 - 3	110	30

Look more about materials at Comparison of materials on page 148.

**T-GDM**

Order code	Type	Cable diameter (mm)	Color	Dimensions (mm)				Plate thickness (mm)	Weight (g)	Package (pcs)
				A	B	C	D			
MBB0609B11	M12	9	Black ●	9	12,2	17	7	1 - 2	2	100
MBB0611B11	M16	11	Black ●	11	16,2	21	7	1 - 2	3	100
MBB0613B11	M20	13,5	Black ●	13,5	20,5	25	7	1 - 2	4	100
MBB0616B11	M25	16	Black ●	16	25,2	31	7	1 - 2	4	100
MBB0621B11	M32	21	Black ●	21	32,2	40	9	1 - 2	12	100
MBB0629B11	M40	29	Black ●	29	40,2	48	10	1 - 2	16	100
MBB0636B11	M50	36	Black ●	36	50,2	58	12	1,5 - 3	17	100
MBB0648B11	M60	48	Black ●	48	60,2	68	12	1,5 - 3	54	50
MBB0653B11	M70	53	Black ●	53	70,2	81	12	1,5 - 3	110	50
MBB0669B11	M80	69	Black ●	69	80,2	91	12	1,5 - 3	110	30

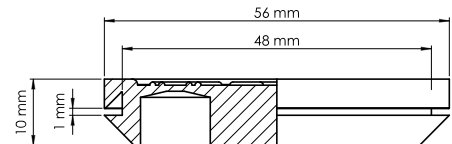
Look more about materials at Comparison of materials on page 148.

Single grommets MGD route low and medium power cables and tubing. Made of TPE-S material, they are suitable for indoor and outdoor use. These grommets are designed to fit standard M50 openings.



**Technical specifications**

- IP54 protection against dust and water splashed from all directions.
- Made of EPDM material
- Plate wall thickness between 1 - 2 mm and 1,5 - 3 mm.
- Available for cables with 3 to 16 mm diameter
- Service temperature for unstressed material -40 °C to +100 °C



Order code	Color	Cable diameter	Weight (g)	Package (pcs)
MBB0712L11	Light Grey (RAL 7035)	8 x 9 mm & 4 x 13 mm	20	50
MBB0707L11	Light Grey (RAL 7035)	4 x 10 mm & 3 x 16 mm	20	50

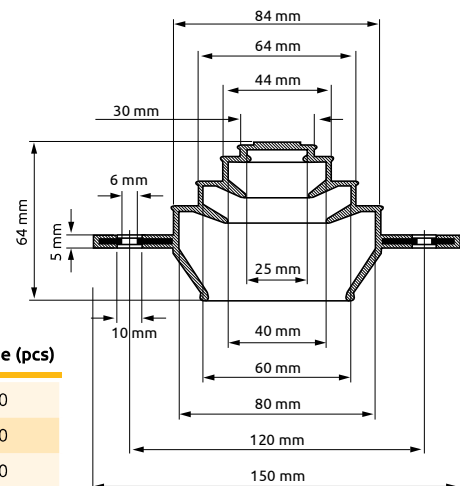
Look more about materials at Comparison of materials on page 148.

Single grommets M 20-80

Single grommets M 20-80 route low and medium power cables and tubing, specifically designed for cables with larger diameters up to 80 mm. They are suitable for both indoor and outdoor applications.

**Technical specifications**

- Made of TPE material
- Flame resistant UL 94 V-0
- Plate wall thickness 1,5 - 3 mm.
- Available for cables with 20 to 80 mm diameter
- Service temperature for unstressed material -40 °C to +100 °C



Order code	Color	Classification	Weight (g)	Package (pcs)
MBA6N80G11	Grey (RAL 7042)		260	50
MBA6N80X11	Light Grey (RAL 7035)	UL 94 V-0	260	50
MBA6N80B11	Black	UL 94 V-0, Oil resistant	260	50

Look more about materials at Comparison of materials on page 148.