

Cable entry plate RMC (IP65)

Patent-pending solution

Very quick, precise
and easy way
to insert cables

No need to use
cutting, pliers,
knives or other
tools



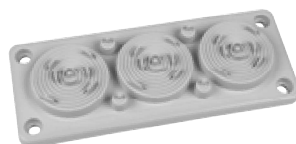
- Cable gland plate used as a conductor entry point in an electrical cabinet; the enclosure wall thickness can vary from 1 to 4 mm
- For use with diverse cable sizes in both low and medium voltage power applications
- Suitable for rough industrial conditions indoors as well as extreme climatic conditions outdoors

Advantages

- Each cable entry point has a tab that can be peeled off to create an opening for quick insertion and pull-through operations without the need for cutting pliers, knives or other tools
- Pre-embossed, circular entry points guarantee a precise, clean and robust seal around the cable; no additional glands or gaskets required
- A high density of incoming/outgoing conductors can be installed with minimal space requirements

Technical specifications

- Feed-through membrane made of thermoplastic elastomer (TPE) with polypropylene glass fiber reinforcement (PP-GF)
- Cable entry points with various cross-sectional diameters (no pre-attached connectors)
- Available in two colors: black and light grey (RAL7035)
- Designed to match an FL21 flange size cut-out
- Standard M8 bolts used for mounting on the enclosure wall (bolts not included in package)
- High IP65 protection against the ingress of dust and water
- Flammability rating according to UL 94 V-0
- Operational ambient temperature range (material unstressed): -40 °C...+90 °C



RMC 3 (IP65)



RMC 17 (IP65)

Grey (RAL 7035)	●	MBA9N07X11	MBA1N17X11
Black (RAL 9005)	●	MBA9N07B11	MBA1N17B11

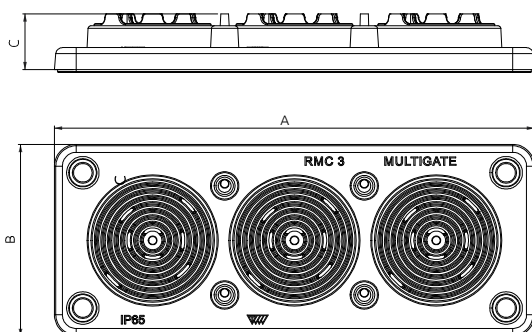
Technical data

Number of cables (pcs) x cable diameter (mm)	4 x 7-10 3 x 12-57	4 x 5-7 2 x 10-12 2 x 12-15 9 x 10-30
Total number of cables	7	17
Dimensions A / B / C (mm)	220 / 88 / 25,5	220 / 88 / 25,5
Classification	UL 94 V-0	UL 94 V-0
Weight (g)	131	134
Package (pcs)	100	100

Look more about materials at Comparison of materials on page 148.

Dimensions

RMC 3



RMC 17

